



Consistent with LEED® goals  
& Green Globes™ criteria  
for light pollution reduction

# Roadway Series 315

## Roadway Lighting — Cutoff Style with Power Door

35-400W HPS, 150-250W MH

### PRODUCT OVERVIEW



### Applications:

- Roadways
- Residential streets
- Storage areas
- Parking lots
- Campuses
- Parks

### Features:

Rugged die-cast aluminum housing is powder-coated for durability and corrosion resistance. Die-cast secondary Power Pad door places all electrical components on one easily interchangeable module with quick disconnects to main fixture housing

Two-bolt mast arm mount provides easy, secure installation and adjustability for arms from 1-1/4" to 2" (1-5/8" to 2-3/8" O.D.) diameter. Optional four-bolt mounting provides extra security in high-vibration applications

Die-cast trigger latch on lens frame enables easy and secure one-hand opening for re-lamping

Large surface area "breathing seal" gasket seals the optical chamber to prevent intrusion by insects and environmental contaminants. Heat-resistant gasket material remains effective over the life of the fixture

Wildlife shield is cast into the housing (not a separate piece) on the two-bolt unit and is easily adjustable for 1-1/4" to 2" (1-5/8" to 2-3/8" O.D.) mast arms

Photocontrol receptacle is adjustable without tools

Anodized aluminum reflectors provide uniform lighting distribution with either flat or sag clear tempered glass

NEMA wattage label, terminal block, and NEMA photocontrol receptacle are standard

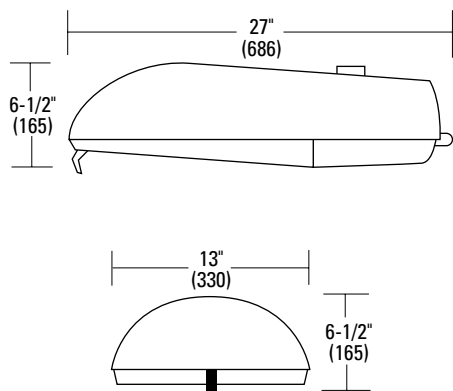
All electrical components warranted by American Electric Lighting's 6-year guarantee

E39 mogul socket standard

Complies with ANSI: C136.2, C136.10, C136.14, C136.15, C136.31

Suitable for -30°C MH / -40°C HPS

### DIMENSIONS

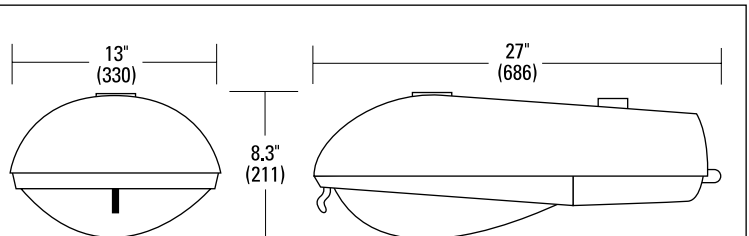


#### Effective Projected Area (EPA)

The EPA for the Horizontal Luminaire Series 315 with Cutoff is 0.98 sq. ft.  
Approx. Wt. = 19 lbs.

### PREFERRED SELECTION CATALOG NUMBERS

- 315 10S CA MT1 R2 FG EC
- 315 25S CA MT1 R2 FG EC
- 315 15S CA MT1 R2 FG EC



**Effective Projected Area (EPA)** The EPA for the Horizontal Luminaire Series 315 with sag glass is 1.06 sq. ft.



# Roadway Series 315

## Roadway Lighting — Cutoff Style with Power Door

35-400W HPS, 150-250W MH

### BALLAST MATRIX

#### Roadway 315

Watts	120	208	240	277	347	480
03S	RH,RN	-	-	-	-	-
05S	RH,RN	XH,XN	XH,XN	XH,XN	-	-
07S	CA,CT,MR,RH,RN	CA,CT,XH,XN	CA,CT,MR,XH,XN	CA,XH,XN	CA,XH,XN	XH
07M	XH,XN	XH,XN	XH,XN	-	-	-
10S	CA,CT,MR,RH,RN	CA,CT,XH,XN	CA,CT,MR,XH,XN	CA,XH,XN	XH,XN	CA
10M	XH,XN	XH,XN	XH,XN	-	-	-
15S	CA,CT,MR,RH,RN	CA,CT,XH,XN	CA,CT,MR,XH,XN	CA,XH,XN	XH,XN	CA
13S	RH,RN	-	-	-	-	-
14S	RH,RN	-	-	-	-	-
15M	XH,XN	XH,XN	XH,XN	XH,XN	-	XH,XN
17M	SC	SC	SC	SC	-	SC
20S	CA,CT,XH,XN	CA,CT	CA,CT,RH,RN,XH,XN	CA,CT	CA	CA,CT
25S	CA,CT,XH,XN	CA,CT	CA,CT,RH,RN	CA,CT	CA	CA,CT
25M	SC	SC	SC	SC	SC	SC
40S	CA,XH,XN	SC	CA,RH,RN	-	-	CA

#### Roadway 315 continued

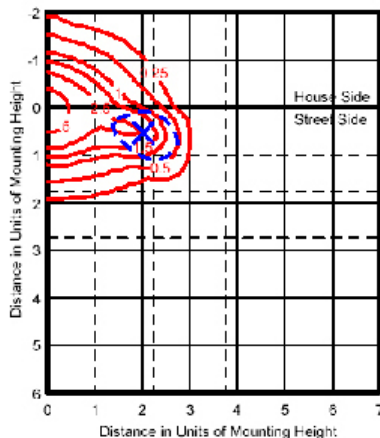
Watts	DT2	DT4	MT1	MT2	MT7	TT3
03S	-	-	-	-	-	-
05S	XH,XN	-	XH,XN	XH,XN	XH,XN	-
07S	CA,CT,MR,XH,XN	MR	CA,XH,XN	CA,XH,XN	CA,XH,XN	XH,XN
07M	XH,XN	XH,XN	XH,XN	XH,XN	XH,XN	-
10S	CA,CT,MR,XH,XN	-	CA,XH,XN	CA,XH,XN	CA,XH,XN	XH,XN
10M	XH,XN	XH,XN	XH,XN	XH,XN	XH,XN	-
15S	CA,CT,MR,XH,XN	MR	CA,CT,XN,XH	CA,CT,XN,XH	CA,CT,XN,XH	XH,XN
13S	-	-	-	-	-	-
14S	-	-	-	-	-	-
15M	XH,XN	-	XH,XN	XH,XN	XH,XN	-
17M	SC	-	SC	SC	SC	-
20S	CA,CT,XH,XN	-	CA,CT	CA,CT	CA,CT	CA
25S	CA,CT,XH,XN	-	CA,CT	CA,CT	CA,CT	CA,CT
25M	SC	SC	SC	SC	SC	SC
40S	-	-	CA,XN,XH	CA,XN,XH	CA,XN,XH	-

### PHOTOMETRICS

315 15S R2 FG

ISOILLUMINANCE PLOT (FC)  
Mounting Height = 20 ft.

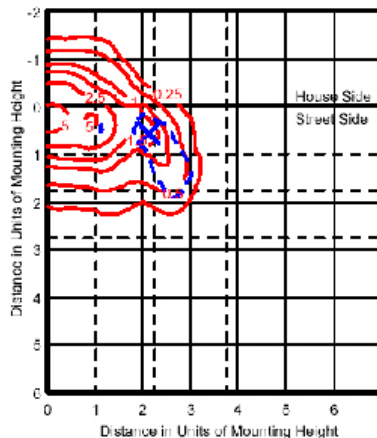
Classification: Type II, Short, Cutoff



315 15S R3 FG HP

ISOILLUMINANCE PLOT (FC)  
Mounting Height = 20 ft.

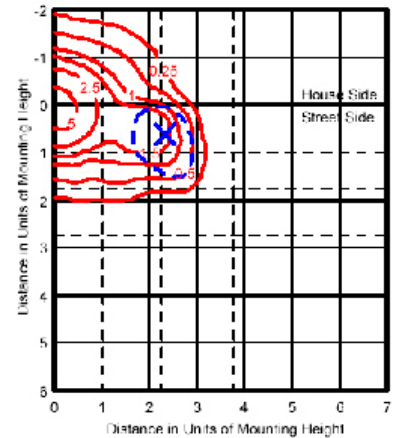
Classification: Type II, Short, Cutoff



315 25S R3 SG

ISOILLUMINANCE PLOT (FC)  
Mounting Height = 20 ft.

Classification: Type II, Medium, Cutoff



# Roadway *Series 315*

## Roadway Lighting — Cutoff Style with Power Door

35-400W HPS, 150-250W MH

