



# PF-400® POWERFLOOD® FLOODLIGHT

## APPLICATIONS

- Parking lots, building security, building facade, shipping yards, rail yards, and many more floodlighting applications.
- Engineered for situations requiring high performance and varied optics.

## SPECIFICATION FEATURES

- 1598 Listed
- **Suitable For Wet Locations**
- Die-cast aluminum housing with polyester powder paint finish
- Enclosed, gasketed and activated-charcoal filtered optical assembly
- Formed aluminum reflector with ALGLAS® finish
- Heavy duty steel trunnion with degree indicator
- Built-in "Sight-Track", quick aiming sight
- Tray mounted ballast available
- Heat and shock resistant tempered glass lens
- Front access via hinged/removable door
- Corrosion-resistant external hardware
- Terminal board
- Mogul base socket – E39 standard



The Energy Independence and Security Act of 2007 (EISA) affects Metal Halide (MH) and Pulse Metal Halide (PMH) wattages from 175W to 450W and for domestic usage, the new digit is "E = EISA-compliant PMH" which has a minimum efficiency of 88%. In many cases, the lumen value and lamp life of a lesser wattage meets or exceeds the former MH ballast/lamp system. For 175W applications, where 175W E-PMH is not available, 150W PMH may be an acceptable substitute. 150W PMH is medium base socket unless otherwise listed or requested.

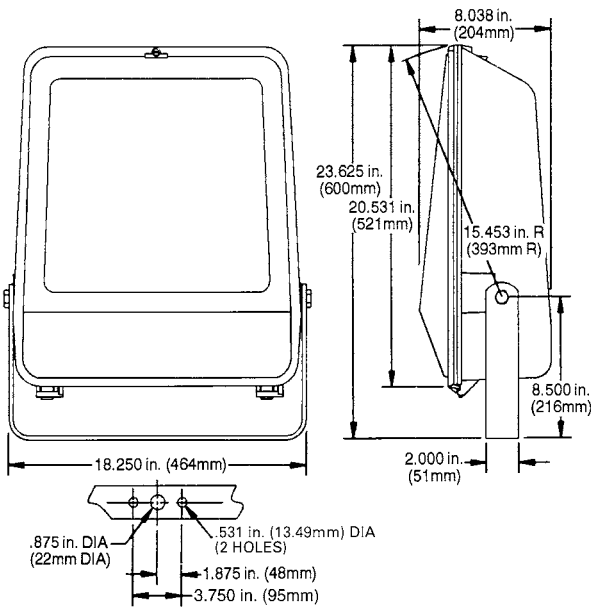
## ORDERING NUMBER LOGIC

PF4S	24	S	0	A	1	6X6	DB	K
PRODUCT IDENT	WATTAGE	LIGHT SOURCE	VOLTAGE	BALLAST TYPE	PE FUNCTION	NEMA TYPE BEAM SPREAD HORIZ X VERT	COLOR	OPTIONS
XXXX	XX	X	X	X	X	XXX	XX	XXX
PF4S = PF-400 Standard PF4T = PF-400 with Tray Mounted Ballast NOTE: 200-400W Mag-Reg not available on tray.	15 = 150 17 = 175 20 = 200 24 = 250/400* 25 = 250 32 = 320 35 = 350 40 = 400  *Connected for 250W (HPS only)	E = Energy Act Compliant Pulse MH (EPMH) M = MH P = PMH S = HPS  Standard: Lamp not included.	<u>60Hz</u> 0 = 120/208/240/277 Multivolt 1 = 120 2 = 208 3 = 240 4 = 277 5 = 480 C = 120X240X277V D = 347 F = 120X347* T = 220  <u>50Hz</u> 6 = 220 R = 230 Y = 240  *Connected for 120V	See Ballast Selection Table  A = Autoreg G = Mag-Reg with Grounded Socket Shell H = HPF Reactor or Lag K = Hot Restart (Must Order "P" Option) Non-UL M = Mag-Reg N = NPF Reactor or Lag P = CWI with Grounded Socket Shell	1 = None 2 = PE Receptacle  NOTE: Receptacle connected same voltage as unit. Order PE Control separately.	Select NEMA Type from Photometric Selection Table  Example: 6X6 = 6X6	DB = Dark Bronze (Standard) GR = Gray	B = Time Delay Automatically Switched Quartz F = Fusing (Not available with multivolt or 120X347V) G = Top Trunnion J = Line Surge Protector, Expulsion Type PF4S only K = Knuckle Slipfitter for 1.9-in. to 2.38-in. (48-60 mm) OD Tenon L = Latch for door P = Prewired with 6 ft (2 meters) #14/3 Q = Non-Time Delay Automatically Switched Quartz S = Knuckle Slipfitter for 1.9 to 3.0 in. (48-76mm) OD Tenon V = Knuckle Wall Mount Y = Dual Wattage Units Connect Higher Wattage

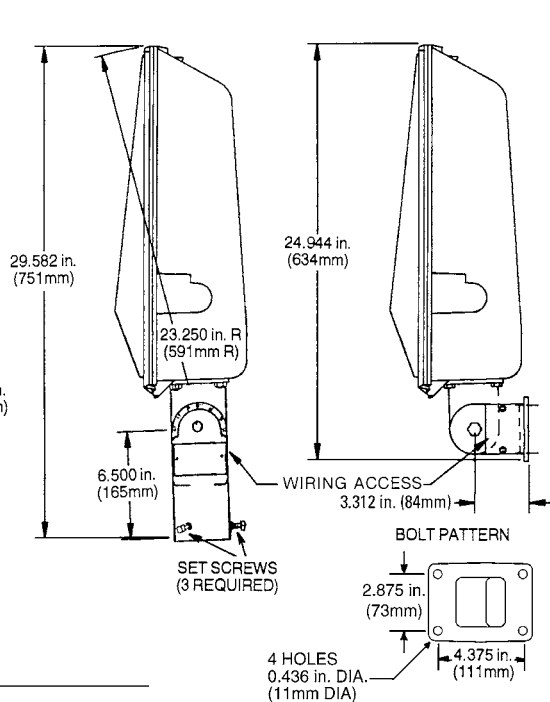
# PF-400® POWERFLOOD® FLOODLIGHT

## FIXTURE DIMENSIONS

Trunnion Mounted  
(Standard)



Slipfitter Mounted  
(Options K or S)



FLOOD LIGHTING

## DATA

Approximate Net Weight	45 lbs	20 kgs
Effective Projected Area	1.5 sq ft max	.14 sq M max
Suggested Mounting Height	20-60 ft	6-18 M

## PHOTOMETRIC SELECTION TABLE

All light sources are clear unless otherwise indicated.

Wattage	Light Source	NEMA Type Beam Spread Horizontal X Vertical (Degrees)		Photometric Curve Numbers 35-17 - - - -
		Vertical**	Horizontal	
150 (55V)	HPS	7X6 (145X114) 6X6 (119X111)		8196
			3X2 (38x22)	7497
			4X2 (70X27)	7495
			4X4 (49X46)	7501 7491
200, 250, 400	HPS	7X6 (154X126) 6X6 (127X119)		7632
			6X5 (114X92)	7481
			6X4 (101X67)	7699
			5X4 (82X63)	7487
		4X2 (61X25)	7473 7475	
175, 250, 320	EPMH, MH	6X6 (114X113)	3X2 (38X17)	7494
			4X4 (50X47)	7490
			4X2 (64X23)	7500
				7496
400, 350	EPMH, MH	7X6 (131X110)		7478
			6X5 (109X80)	7484
			4X4 (55X55)	7470
			3X2 (31X24)	7474

## BALLAST SELECTION TABLE

Wattage	Light Source	Ballast Type/Voltage						
		Multivolt	60Hz			50Hz		
			Canada 120, 208 Only 240, 277 480	120X347	220	220	230	240
150 (55V)	HPS	H	H, M*	H	N/A	M	N/A	N/A
200	HPS	A, M	A, M	N/A	A	A	A, H, N	A
250	HPS	A, M, G	A, M, G	A	A	A	A, H, N	A
250/400	HPS	A	A	N/A	N/A	N/A	N/A	N/A
400	HPS	A, M	A, K, M	A	A	A, H, N	H	A, H, N
175, 250, 400	MH	N/A	N/A	A	N/A	N/A	N/A	N/A
175, 250, 320, 350, 400	EPMH	A	A	A	N/A	N/A	N/A	N/A

NOTES: N/A = Not Available

\*For 150W HPS, 480V use **A** or **M** ballast only.

\*\*When using PMH lamps in vertical socket position, confirm that universal lamp or correct orientation for lamp is used.

## REFERENCES

See Page F-32 for start of Accessories.

See Pages F-46 for Component Ordering Logic.

See Pages F-47 for Explanation of Options and Other Terms Used.

See Pole and Bracket Section Page P-2 for pole selection.

**GE Lighting Systems, Inc.**  
www.gelighting.com