

PF-154™ POWERFLOOD® FLOODLIGHT

APPLICATIONS

- Parking lots, building security and building facade
- Anywhere a compact 70 to 400 watt, wide beam floodlight is needed.

SPECIFICATION FEATURES

- /UL 1598 Listed (PF1S only)
Suitable For Wet Locations
- Heavy duty die-cast aluminum housing
- Enclosed, gasketed and activated-charcoal filtered optical assembly
- Heavy duty steel trunnion with degree indicator
- One-piece hydroformed reflector with Alzak† finish
- Knuckle slipfitter and wall mounting options
- Built-in "Sight-Track", quick aiming sight
- Tray mounted ballast available (150 watt maximum)
- Heat and shock resistant tempered glass lens
- Front access via hinged/removable door
- Polyester powder paint finish inside and out
- Corrosion-resistant external hardware
- Mogul base socket – E39 standard

F

FLOOD LIGHTING



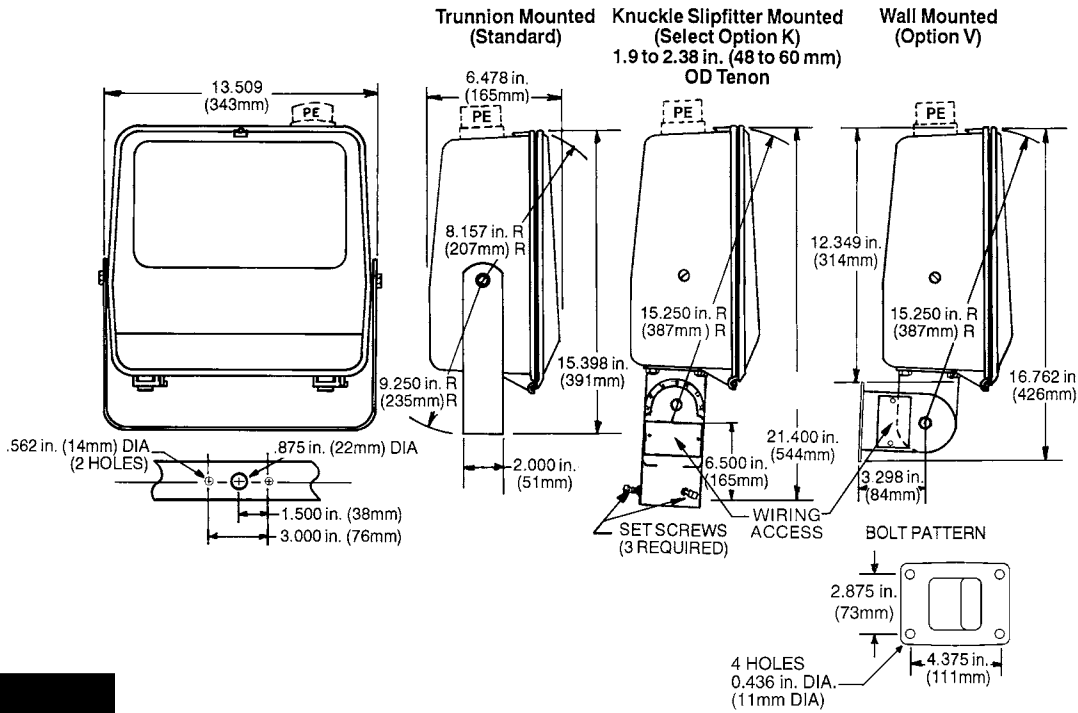
The Energy Independence and Security Act of 2007 (EISA) affects Metal Halide (MH) and Pulse Metal Halide (PMH) wattages from 175W to 450W and for domestic usage, the new digit is "E = EISA-compliant PMH" which has a minimum efficiency of 88%. In many cases, the lumen value and lamp life of a lesser wattage meets or exceeds the former MH ballast/lamp system. For 175W applications, where 175W E-PMH is not available, 150W PMH may be an acceptable substitute. 150W PMH is medium base socket unless otherwise listed or requested.

ORDERING NUMBER LOGIC

| PF1S | 07 | S | 0 | H | 1 | 6X6 | DB | L |
|---|--|--|--|---|--|---|------------------|--|
| PRODUCT IDENT | WATTAGE | LIGHT SOURCE | VOLTAGE | BALLAST TYPE | PE FUNCTION | NEMA TYPE BEAM SPREAD HORIZ X VERT | COLOR | OPTIONS |
| XXXX | XX | X | X | X | X | XXX | XX | XXX |
| PF1S = PF-154 Standard NOTE: 150W Max Mag-Reg PF1T = PF-154 Floodlight with Tray Mounted Ballast 150 watt maximum NOTE: Mag-Reg not available. | 07 = 70 10 = 100 15 = 150 17 = 175 20 = 200 24 = 250/400* 25 = 250 32 = 320 40 = 400 *Connected for 250W (HPS only) | E = Energy Act Compliant Pulse MH (EPMH) S = HPS M = MH P = PMH CAUTION: For 400W MH, an E-18 or ED-28 lamp must be used. Standard: Lamp not included. | 60Hz 0 = 120/208/240/277 Multivolt 1 = 120 2 = 208 3 = 240 4 = 277 5 = 480 C = 120x240x277V D = 347 F = 120X347* T = 220 50Hz 6 = 220 R = 230 Y = 240 *Connected for 120V | See Ballast and Photometric Selection Table A = Autoreg H = HPF Reactor or Lag M = Mag-Reg N = NPF Reactor or Lag | 1 = None 2 = PE Receptacle NOTE: Receptacle connected same voltage as unit. Order PE Control separately. | Select NEMA Type from Photometric Selection Table Example: 6X6 = 6X6 | DB = Dark Bronze | F = Fusing (Not available with 120X347V) K = Knuckle Slipfitter for 1.9-in. to 2.38-in. (48-60 mm) OD Tenon L = Latch for door P = Prewired with 6 ft (2 meters) #14/3 T = Terminal Board V = Knuckle Wall Mount Y = Dual Wattage Units Connect Higher Wattage |

PF-154™ POWERFLOOD® FLOODLIGHT

FIXTURE DIMENSIONS



DATA

| | | |
|---------------------------|---------------|--------------|
| Approximate Net Weight | 23-25 lbs | 10-11 kgs |
| Effective Projected Area | 1.2 sq ft max | .11 sq M max |
| Suggested Mounting Height | 20-60 ft | 6-18 M |

BALLAST AND PHOTOMETRIC SELECTION TABLE

All light sources are clear unless otherwise indicated.

| Wattage | Light Source | Ballast Type/Voltage | | | | | | | | NEMA Beam Spread Horiz X Vert (Degrees) | Photometric Curve Number 35-17 - - - - |
|-----------------------|---------------|----------------------|-----------------------------|-----------------|----------|----------|----------|----------|---------------------------------------|---|--|
| | | 60Hz | | | | 50Hz | | | | | |
| | | Multivolt | 120, 208 240, 277 480 | 347, 120X347 | 220 | 220 | 230 | 240 | | | |
| 70, 100, 150 (55V) | HPS | H, N, A | H***, M | H, G† | H,N | H,N | H,N | H,N | 6X6 (124X121) 7X6 (141X123) | 8609 9888 | |
| 200, 250, 400** | HPS | A | A | N/A | N/A | N/A | N/A | N/A | 6X6 (120X114) | 8610 | |
| 150 175 | PMH (P) MH | H**** N/A | H, A***** N/A | H, A A, P‡ | N/A A | N/A A | N/A A | N/A A | 6x6 6X6 (122X116) 7X6 (150X124) | 8612 9889 | |
| 175 | PMH (E) | A | A | A | N/A | N/A | N/A | N/A | 6X6 (122X116) 7X6 (150X124) | 8612 9889 | |
| 250, 320 | PMH (E) | A | A | A, P | A | A | A | A | 6X6 (122X116) 7X6 (143X115) | 8612 9892 | |
| 400* | PMH (E) | A | A | A | A | A | A | A | 6X6 (129X120) | 8611 | |

NOTE: N/A = Not Available

*Lamp for 400 watt MH fixture must be E-18 or ED-28 only

**250/400 dual wattage not available in 347 volt

***For 150 watt and below, 480 volt, use A or M ballast only.

****Tri-Volt Multivolt:

120X208X277V or 120X240X277V

*****Auto-Reg available in 120 or 277V only

† Not available in 120X347 or tray

‡ Not available in 347 volt or 120X347

REFERENCES

See Page F-32 for start of Accessories.

See Pages F-47 for Explanation of Options and Other Terms Used.

See Pole and Bracket Section Page P-2 for pole selection.