

# M-250R2 LUMINAIRE WITH CUTOFF OPTICS



## APPLICATIONS

- For residential streets, access roads, parking lots and other outdoor areas

## SPECIFICATION FEATURES

- Universal two-bolt slipfitter
- Die-cast aluminum housing with polyester powder gray paint finish
- Streetside adjustable E39 mogul base socket standard where lamp is available in mogul base (E26 Medium Base otherwise)
- ALGLAS® finish on reflector
- No-tool PE receptacle
- Plug-in ignitor
- True 90° cutoff—no light above 90° (meets RP8-2000 for full cutoff)
- External stainless steel bail latch
- Plastic pest guard standard (not required for 2 in. pipe)
- Ⓞ/Ⓞ listed for wet location available as an option

## ORDERING NUMBER LOGIC

M2RC	15	S	1	N	2	G	MC3	F
PRODUCT IDENT	WATTAGE	LIGHT SOURCE	VOLTAGE	BALLAST TYPE	PE FUNCTION	LENS TYPE	IES DISTRIBUTION TYPE	OPTIONS
XXXX	XX	X	X	X	X	X	XXX	XXX
M2RC = M-250R2 with Cutoff Optics ★	05 = 50 07 = 70 10 = 100 15 = 150 (55V) 17 = 175 20 = 200 21 = 100/150 (55V) 25 = 250	E = Energy Act Compliant Pulse MH (EPMH) S = HPS P = PMH Standard: Lamp not included.	60Hz 0 = 120/208/ 240/277 Multivolt 1 = 120 2 = 208 3 = 240 4 = 277 5 = 480 7 = 120X240 8 = 240V Ballast 120V PE Receptacle not reconnectable D = 347 F = 120X347 T = 220 W = 230  50Hz 6 = 220 R = 230 Y = 240  NOTE: Dual volt- age connected for lower voltage	See Ballast Selection Table A = Autoreg G = Mag-Reg with Grounded Socket Shell H = HPF Reactor or Lag M = Mag-Reg N = NPF Reactor or Lag P = CWI with Grounded Socket Shell	1 = None 2 = PE Receptacle  NOTE: Receptacle connected same voltage as unit except as noted. Order PE Control separately.	See Photometric Selection Table A = Acrylic Clear Globe G = Flat Glass ★ L = Polycarbonate Clear Globe S = Sag Glass  ★ = Previously IESNA Full Cutoff Optics  NOTE: 150 watt Maximum with Acrylic or Polycarbonate Refractors.	See Photometric Selection Table  S = Short M = Medium  C = Cutoff ★  2 = Type II 3 = Type III  ★ = Previously IESNA Full Cutoff Optics	C = Charcoal filter F = Fusing (Not available with multivolt or dual voltage) J = Line Surge Protector, Expulsion Type U = Ⓞ/Ⓞ listed with glass only (60Hz only)

**R**  
ROADWAY LIGHTING

## PHOTOMETRIC SELECTION TABLE

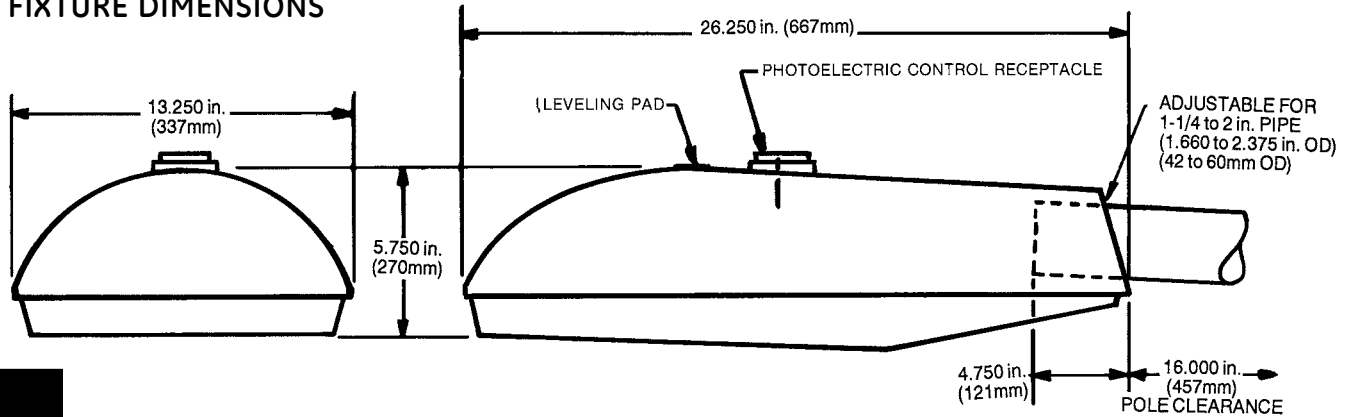
Wattage	Light Source	Lens Type	IES Distribution Type Photometric Curve Number (Socket Position) All light sources are clear unless otherwise indicated.		
			MC2	MC3	SC2
50, 70, 100, 150 (55v)	HPS	A or L	N/A	179168 (1A)	N/A
50	HPS	S	452536 (2CL)	452537 (1CL)	N/A
70	HPS	S	452538 (2CL)	452539 (1CL)	N/A
100	HPS	S	452540 (2CL)	452541 (1CL)	N/A
150 (55v)	HPS	S	452533 (2CL)	452542 (1CL)	N/A
50, 70, 100, 150 (55v)	HPS	G*	177293 (2CL)	177292 (1CL)	N/A
200	HPS	S	N/A	452532 (2DL)	N/A
200, 250	HPS	G*	177306 (2DH)	177305 (1DH)	N/A
175, 250	EPMH	G*	N/A	N/A	177300 (1B)
100**, 150**	PMH	G*	N/A	451484 (1CH)	453603
175	EPMH	S	N/A	452534 (1CL)	N/A
250	EPMH	S	N/A	452535 (1CH)	N/A

NOTE: N/A=Not Available  
PMH—Contact Factory  
\*Meets RP8-2000 for full cutoff  
\*\*Medium base socket

GE Lighting Systems, Inc.  
www.gelightingssystem.com

# M-250R2 LUMINAIRE WITH CUTOFF OPTICS

## FIXTURE DIMENSIONS



## DATA

Approximate Net Weight	20-30 lbs	9-14 kgs
Effective Projected Area		
Flat Glass Unit	0.6 sq. ft. max	0.06 sq. M max
Clear Acrylic or Polycarbonate Globe Unit	1.0 sq. ft. max	0.09 sq. M max
Suggested Mounting Height	20-40 ft.	6-12 M

## REFERENCES

See Page R-48 for start of Accessories.  
See Page R-52 for Explanation of Options and Other Terms Used.  
See Pole and Bracket Section Page P-2 for pole selection.

## BALLAST SELECTION TABLE

Wattage	Light Source	Ballast Type/Voltage															
		60Hz											50Hz				
		Multi-volt	120	208	240	277	480	120X240	347, 120X347	240/120 PE R	220	230	220	230	240		
50	HPS	H,N	H,N	H,N	H,N	H,N	H,N	H,N	H,N	H,N	H,N	H,N	N/A	N/A	N/A	N/A	N/A
70,100,150 (55V)	HPS	A,H,N	A,G,H,M,N,P	A,G,H,M,N	A,G,H,M,N,P	A,G,H,M,N	G,M	G,H,M,N,P	G*,H,M*,N	G,H,M,N	H,M,N	N/A	H,M,N	H	N/A	N/A	
100/150 (55V)	HPS	N/A	H,N	N/A	N/A	N/A	N/A	N/A	N/A	N/A	N/A	N/A	N/A	N/A	N/A	N/A	
200, 250	HPS	A,P	A,H,N,P	A,H,N,P	A,H,N,P	A,P	A,P**	A,P	A**,P	A,H,N	H	H	A,H,N	H	H	H	
175	EPMH	A	A	A	A	A	A	A	N/A	A	N/A	N/A	N/A	N/A	N/A	N/A	
100	PMH	H,N	H,N	H,N	H,N	H,N	H,N	H,N	H,N	H,N	N/A	N/A	N/A	N/A	N/A	N/A	
150	PMH	N/A	A,H	H	A,H	A,H	N/A	A,H	H	H	N/A	N/A	N/A	N/A	N/A	N/A	
250	EPMH	A	A	A	A	A	A	A	N/A	A	N/A	N/A	N/A	N/A	N/A	N/A	

NOTE: N/A = Not Available

NOTE: \*Not available in 120X347 volt

NOTE: \*\*Not available in 200 watt

## M2AC — SUGGESTED CATALOG ORDERING NUMBERS

Catalog Number	Wattage	Light Source	Voltage (60 Hz)	Ballast Type	Refractor Type	Photometric Distribution
M2RC07S1N2GMC3	70	HPS	120	NPF Reactor	Glass	MC3
M2RC10S1N2GMC3	100	HPS	120	NPF Reactor	Glass	MC3
M2RC15S0A2GMC3	150	HPS	120	NPF Reactor	Glass	MC3

All GE suggested catalog ordering numbers come with PE receptacle. PE control must be ordered separately. Order and install SCCL-PECTL if no PE is desired.

Multivolt ballasts can be for either 120, 208, 240, or 277 volt incoming power supply.