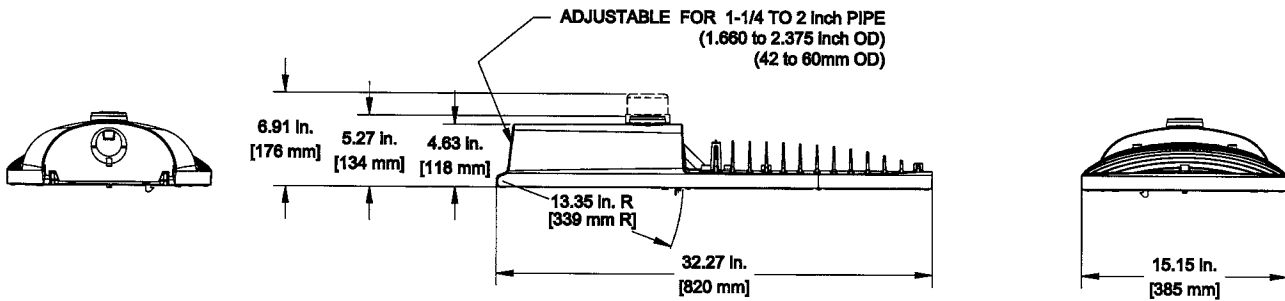
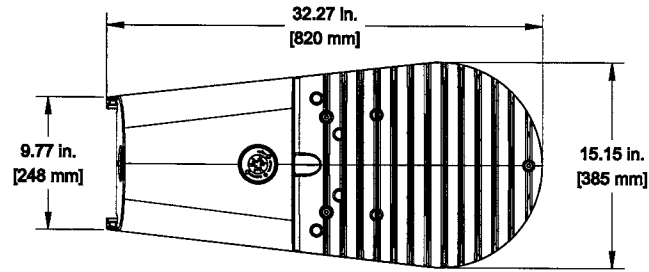


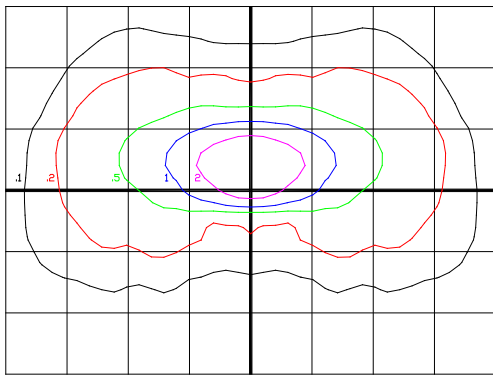
GE EVOLVE™ LED SERIES

Roadway Medium Cobrahead (R150)

FIXTURE DIMENSIONS

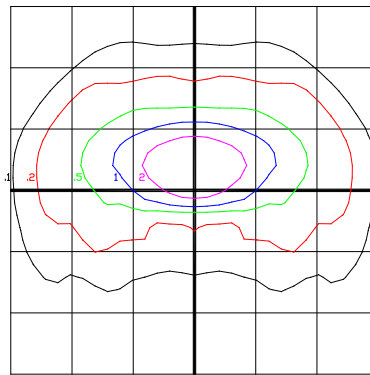


Iso - Illuminance Plot - A1, A2, A3



ASYMMETRIC WIDE

Iso - Illuminance Plot - A4, A5, A6



ASYMMETRIC SHORT

DATA

Approximate Net Weight
EPA with Slipfitter

35 lbs 16 kgs
1.1 sq ft max 0.10 sq M max

Information provided is subject to change without notice. All values are design or typical values when measured under laboratory conditions.

GE Lighting Systems, Inc.