



# GE EVOLVE™ LED SERIES

## AREA LIGHT

### Medium Thin Profile

#### APPLICATIONS

- Site, area, and general lighting utilizing advanced LED optical system providing high uniformity, excellent vertical light distribution, reduced offsite visibility, reduced on-site glare and effective security light levels.

**Housing:** Die-cast aluminum housing. Slim architectural design incorporates a heat sink directly into the unit ensuring maximum heat transfer, long LED life and a reduced EPA. Meets ANSI 2G vibration standards. For 3G rating contact factory.

**LED and Optical Assembly:** Optimized LED array based on distribution pattern. Utilizes High Brightness LEDs, 70 CRI at 6000K.

**Life:** System rating is 50K hours @ L85.

**Ratings:** UL/cUL listed, suitable for wet location. Rated -40°C to 50°C ambient.

Surge protection IEEE/ANSI C62.41.2-2002.  
IP 65 rated optical assembly per IEC 60529.

- 277V Systems: Location Category B2
- 480V Systems: Location Category B3

#### Mounting:

**Option A:** 10" mounting arm for square pole with easy-connect terminal board.

**Option B:** 10" mounting arm for round pole with easy-connect terminal board.

**Option C:** Slipfitter mounting for 2-3/8" O.D. pipe pre-wired with 24 in. leads.

**Finish:** Corrosion resistant polyester powder painted, minimum 2.0 mil. thickness. Standard colors: Black & Dark Bronze. RAL & custom colors available. Standard warranty applies.

**Electrical:** Integral surge protection Class "A" Sound Rating. 120-277 voltage available with universal electronic driver. 347V and 480V available without PE receptacle. (Contact factory for PE receptacle with 347V and 480V.) Driver power factor is >90% and THD <20% for full load.

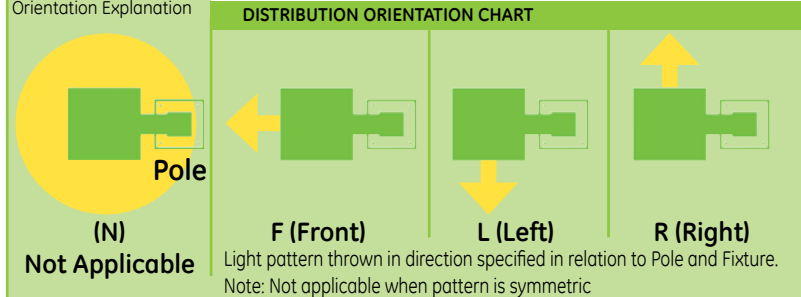
#### Catalog Number:

EAMT -      -      -      -      - 60 - A -      -      -      -      -      -     

### ORDERING NUMBER LOGIC Sample Number - EAMT05N60A1BBLCKXXX BELOW - SUGGESTED ORDER LOGIC

<b>EAMT</b>	<b>0</b>	<b>S5</b>	<b>N</b>	<b>60</b>	<b>A</b>	<b>1</b>	<b>B</b>	<b>BLCK</b>	<b>XXX</b>
<b>PROD. ID</b> EAMT = Evolve™ Area Medium Thin Profile	<b>VOLTAGE</b> 0 = 120 - 277 5 = 480 H = 347-480  Contact factory for PE with 347-480V (H or 5 above)	<b>OPTICAL CODE</b> See Photometric Selection Table S5 = Symmetric Square W3 = Asymmetric Wide F4 = Asymmetric Forward Throw	<b>DISTRIBUTION ORIENTATION</b> F = Front L = Left R = Right N = Not applicable when pattern is symmetric  See below for Distribution Orientation Explanation	<b>LED COLOR TEMP</b> 60=6000K	<b>LENS TYPE</b> A = Acrylic	<b>PE FUNCTION*</b> 1 = None 2 = PE Rec. 4 = PE Rec. with Shorting Cap 5 = PE Rec. & Control  *Contact factory for PE with 347-480V	<b>MOUNTING ARM</b> A = 10" Arm for Square Pole supplied with Terminal Block B = 10" Arm for Round Pole supplied with Terminal Block C = EXT Slipfitter 2" PIPE (2.375 in. OD) supplied with leads	<b>COLOR</b> BLCK = Black DKBZ = Dark Bronze Other colors contact factory	<b>OPTION</b> C = Top cover for heat shrink shroud (painted same color as luminaire)

Note: Option C provided without pole mounting arm adapter. Order mounting arm adapter separately. (See reverse side for order details.)



Optical Code	Type	Typical Initial Lumens*	Typical System Wattage 120-277V	Typical System Wattage 347-480V	Photometric Curve Number
S5	Symmetric Square	12,300	210	220	See website
W3	Asymmetric Wide	7,200	132	138	See website
F4	Asymmetric Forward	5,400	94	99	See website

See distribution illustration below  
\* Tested under thermally stable conditions at 25°C. Reference IES LM79 methods.

#### IESNA CLASSIFICATIONS



GE Lighting Systems, Inc.

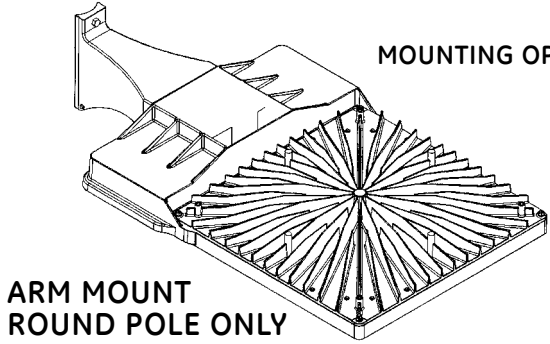
# GE EVOLVE™ LED SERIES

## AREA LIGHT

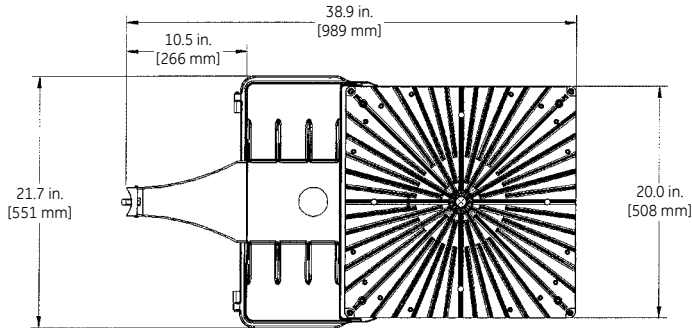
### Medium Thin Profile

#### FIXTURE DIMENSIONS - 10" ARM

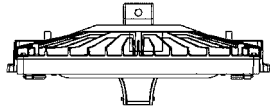
##### MOUNTING OPTION "B"



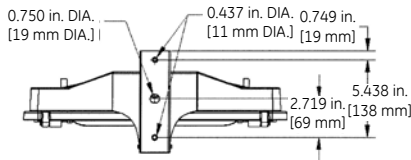
ARM MOUNT  
ROUND POLE ONLY



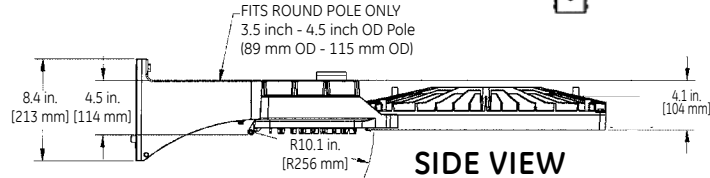
TOP VIEW



FRONT VIEW

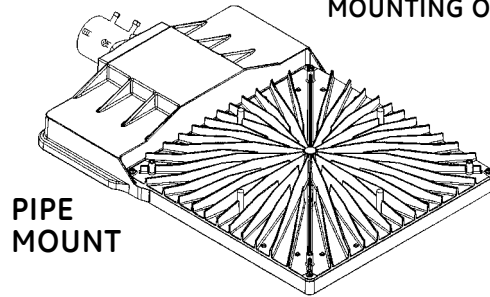


SIDE VIEW

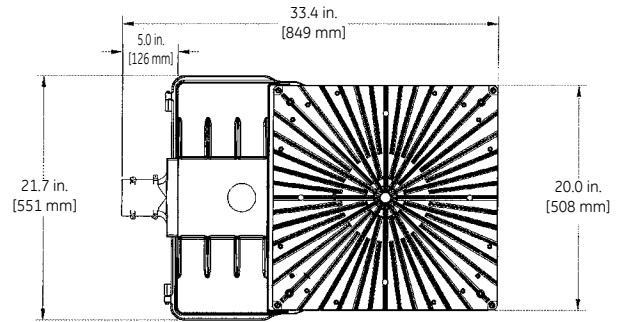


#### FIXTURE DIMENSIONS - SLIPFITTER ARM

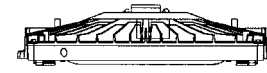
##### MOUNTING OPTION "C"



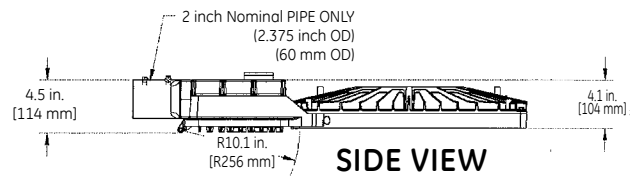
PIPE  
MOUNT



TOP VIEW



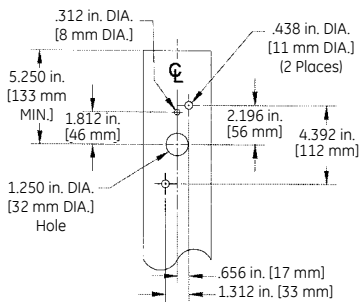
FRONT VIEW



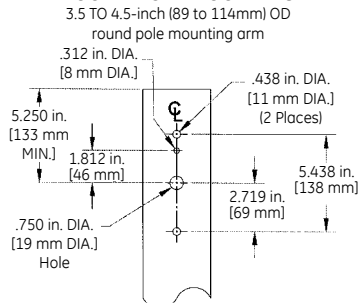
SIDE VIEW

#### DRILLING TEMPLATES FOR SLIPFITTER ARMS & ARM MOUNT

##### DRILLING TEMPLATE SQUARE POLE MOUNTING



##### DRILLING TEMPLATE ROUND POLE MOUNTING

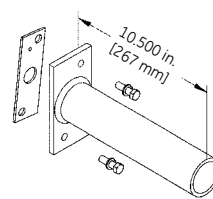


#### MOUNTING ARMS FOR SLIPFITTER -

Order separately with Mounting Option C (External Slipfitter)

##### SQUARE POLE MOUNTING ARM

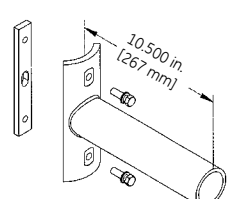
3.5 TO 4.5-inch (89 to 114mm) SQUARE  
(WILL ALLOW 4 FIXTURES PER  
POLE @ 90 DEGREES.)



ORDER SEPARATELY FROM FIXTURE  
AS CATALOG NUMBER  
SPA-EAMT10BL "Black"  
SPA-EAMT10DB "Dark Bronze"

##### ROUND POLE MOUNTING ARM

3.5 TO 4.5-inch (89 to 114mm) OD  
(WILL ALLOW 4 FIXTURES PER  
POLE @ 90 DEGREES.)



ORDER SEPARATELY FROM FIXTURE  
AS CATALOG NUMBER  
RPA-EAMT10BL "Black"  
RPA-EAMT10DB "Dark Bronze"

(FOR RETROFITS INSTALLATIONS OTHER MOUNTING PATTERNS ARE AVAILABLE)  
CONTACT FACTORY FOR OTHER AVAILABLE MOUNTING PATTERNS

#### DATA

Approximate Net Weight  
EPA with 10" mounting arm  
EPA with Slipfitter

51-57 lbs      23-26 kgs  
1.35 sq ft max      0.13 sq M max  
1.19 sq ft max      0.11 sq M max

Information provided is subject to change without notice. All values are design or typical values when measured under laboratory conditions.

OLP-2849B  
1/10 (5M) GELS  
CS-GE Evolve™ LED Area Light

GE Lighting Systems, Inc.