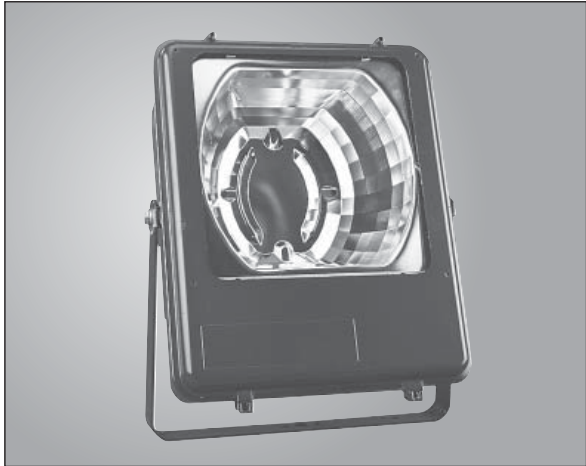


UltraFlood™ Series 75

Heavy Duty Floodlight

100-400W HPS, 150-400W MH

PRODUCT OVERVIEW



Features:

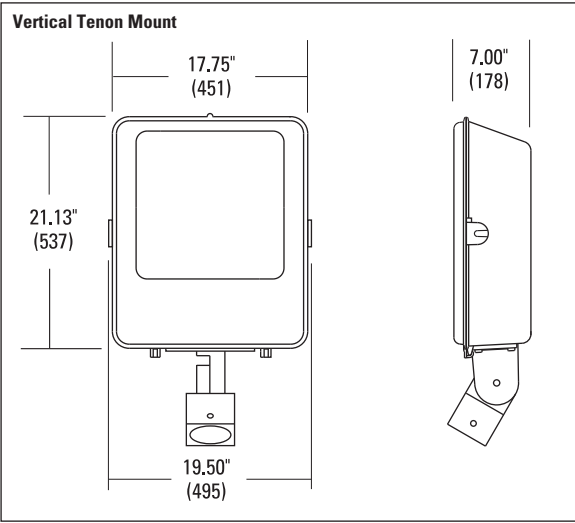
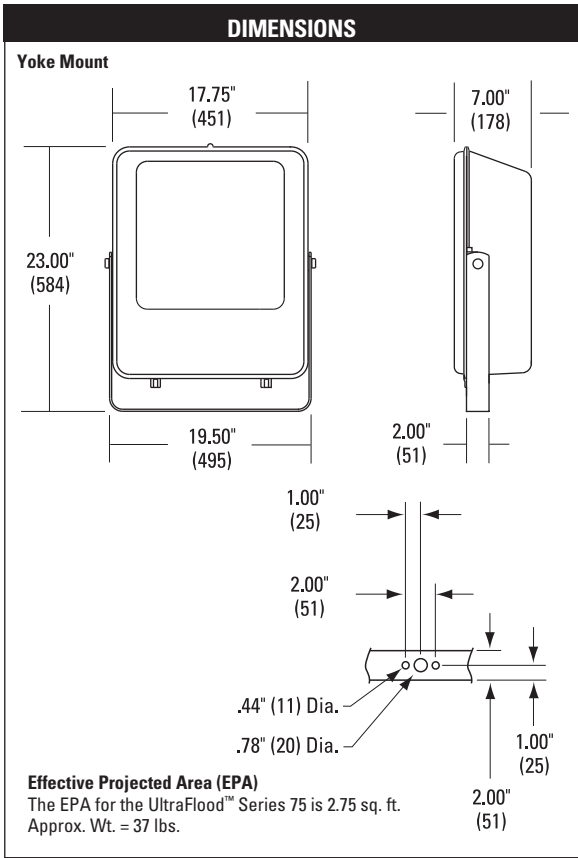
- NEMA beam patterns available in a variety of options including horizontal and vertical lamps
- Rugged die-cast aluminum housing is powder-coated for durability and corrosion resistance
- Door is hinged and easily removable for quick maintenance
- Fully pivoting painted yoke is standard, tenon and galvanized yoke mounting options are available for precise aiming
- UL listing is standard
- For easy of maintenance, tool-less entry and ballast tray are available options
- Lens is thermal shock and impact resistant tempered glass
- Hydroformed reflector
- Suitable for -30°C MH / -40°C HPS
- All electrical components warranted by American Electric Lighting's 6-year guarantee

Applications:

- Auto dealerships
- Schools
- Construction sites
- Recreational areas
- Storage yards
- Office Buildings
- Airports
- Churches
- Industrial sites
- Shopping centers
- Parking lots
- Substations
- Building facades

PREFERRED SELECTION CATALOG NUMBERS

75 40M SC MT1 66 0443 TL NL
 75 40S CA MT1 76 EC 0443 TL NL
 75 40S CA MT1 76 TM EC TL NL
 75 40M SC MT1 76 TM TL NL
 75 25S CA MT1 76 EC 0443 TL NL
 75 25S CA MT1 76 TM EC TL NL



UltraFlood™ Series 75

Heavy Duty Floodlight

100-400W HPS, 150-400W MH

ORDERING INFORMATION

Example: 75 40M SC MT1 66 0643 LC TL PC

Series	Wattage / Source		Ballast	Voltage	NEMA Beam Pattern
75 UltraFlood	10	100W	S HPS	120 120V	<i>Vertical Lamp</i> 76 7H x 6V 66 6H x 6V
	15	150W	M MH ²	208 208V	
	17	175W ¹		240 240V	
	20	200W		277 277V	<i>Horizontal Lamp</i> H6 6H x 6V
	25	250W ¹	RN Reactor Normal Power Factor	347 347V	
	31	310W	RH Reactor High Power Factor	480 480V	
	32	320W	XN High Reactance (Lag) Normal Power Factor	MT1 Multi-tap Wired 120V	
	40	400W ¹	XH High Reactance (Lag) High Power Factor	MT2 Multi-tap Wired 240V	
	23	250/400W Wired 250W	CA CWA (Auto Reg) ²	MT7 Multi-tap Wired 277V	<i>Refer to Optic Distribution Matrix below for compatibility.</i>
	24	250/400W Wired 400W	CT CWI	TT3 Tri-tap Wired 347V	
			SC SCWA	DT2 Dual Tap 120/240 Wired 240V	
			MR Mag Reg (3 Coil)	DT4 Dual Tap 240/480 Wired 480V	
				5T4 5-tap Wired 480V	

Ⓔ See ballast matrix for EISA compliant options

Options

Mounting

(blank)	Yoke Mount (standard) ³
YG	Wraparound Yoke Galvanized
TM	Tenon Slipfitter ³

Paint⁴

(blank)	Bronze (standard)
BK	Black
DDB	Dark Bronze
GY	Gray
WH	White

Terminal Block⁵

(blank)	Hard wired (standard)
TB	Terminal Block Factory Wire
T2	Wired to L1 and L2 Position
T3	3 Wire Operation (L1, N, L2 Position) ⁶

Listing

(blank)	UL Listed (standard)
CS	CSA Certified
XL	No Listing

Photocontrol Receptacle

(blank)	Photocontrol Receptacle (standard)
NR	No Photocontrol Receptacle ⁷

Starter⁸

(blank)	Open Board (standard)
EC	Encapsulated plug-in
OP	Open board plug-in

Lamp

LC	Lamp Included, Clear
LD	Lamp Included, Deluxe

Fusing⁹

SF	Single Fuse (120, 277, 347V)
DF	Double Fuse (208, 220, 240, 480V)

Cord Length*

04	4'	63	16-3
05	5'	44	14-4 ¹⁰
06	6'	43	14-3
08	8'	23	12-3

Cord Type*

10	10'	*Cord length and type should be combined to form one number. Ex: 0423
12	12'	
15	15'	
20	20'	
25	25'	
30	30'	

Misc.

TL	Tool-less Entry
PC	Photocontrol Included per Voltage Specified ⁷
BT	Removable Ballast
SS	Stainless Steel fastener (external)
NL	NEMA Label
PGS	Ballistic Shield ¹¹
SH	Shorting Cap ⁷

Notes:

- When ordered with metal halide, these wattages do not comply with California Title 20 regulations.
- CA ballast is not available with 175W - 400W metal halide in the U.S.; must use SC
- Painted to match fixture
- Other colors available, please contact your local American Electric Lighting representative
- VOIDS UL and CSA Listing
- Available with 240, 480, MT2, DT2, DT4, 5T2 and 5T4 voltages only; requires cord type 44 when a cord option is selected
- PC and SH not available with NR option
- HPS only
- VOIDS UL and CSA listing, not available in MT, TT, and DT voltages
- For 3-wire operation and ground; requires T3 option
- Ships separately

Optic Distribution

	66	76	H6
10S	-	-	◆
15S	-	-	◆
15M	◆	◆	◆
17M	◆	◆	◆
20S	-	◆	◆
23S	-	◆	◆
24S	-	◆	◆
25S	-	◆	◆
25M	◆	◆	◆
31M	◆	◆	◆
32M	◆	◆	◆
35M	◆	◆	◆
40S	-	◆	◆
40M	◆	◆	◆

UltraFlood™ Series 75

Heavy Duty Floodlight

100-400W HPS, 150-400W MH

BALLAST MATRIX

Series 75

Watts	120	208	240	277	347	480	DT2	MT1
10S	CA,CT,RH,RN	CA,CT,XH,XN	CA,CT,XH,XN	CA,CT,XH,XN	CT,XH,XN	CA,XH,XN	CA,CT,XH,XN	CA,CT,XH,XN
15S	CA,CT,RH,RN	CA,CT,XH,XN	CA,CT,XH,XN	CA,CT,XH,XN	-	CA,XH,XN	-	CA,CT,XH,XN
ⓔ 17M	SC	SC	SC	SC	SC	SC	SC	SC
20S	CA	CA	CA,RH,RN	CA	-	CA	CA	CA
23S	CA	CA	CA	CA	-	-	CA	CA
25S	CA,XH,XN	CA	CA,XH,XN	CA	CA	CA	CA,XH,XN	CA
ⓔ 25M	SC	SC	SC	SC	SC	SC	SC	SC
31S	CA	CA	CA	CA	-	CA	CA	CA
ⓔ 32M	SC	SC	SC	SC	-	SC	SC	SC
40S	CA,CT	CA,CT	CA,CT	CA,CT	CA	CA	CA,CT	-
ⓔ 40M	SC	SC	SC	SC	-	SC	SC	SC

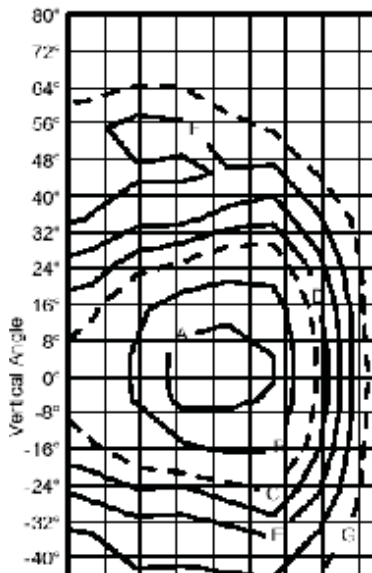
Series 75 continued

Watts	MT2	MT7	TT3	5T4
10S	CA,CT,XH,XN	CA,CT,XH,XN	XH,XN,CT	-
15S	CA,CT,XH,XN	CA,CT,XH,XN	-	-
ⓔ 17M	SC	SC	SC	-
20S	CA	CA	CA	-
23S	CA	CA	-	-
25S	CA	CA	CA,CT	CA
ⓔ 25M	SC	SC	SC	SC
31S	CA	CA	-	-
ⓔ 32M	SC	SC	-	SC
40S	-	-	-	CA
ⓔ 40M	SC	SC	-	SC

PHOTOMETRICS

75 40S 76

Isointensity Plot



A = 90
B = 70
C = 50
D = 40
F = 30
G = 20

X Maximum Intensity
--- 1/2 Maximum Intensity

UltraFlood™ Series 75

Heavy Duty Floodlight

100-400W HPS, 150-400W MH
