

DESCRIPTION

The General Purpose Flood uses an innovative die-cut optical design which delivers maximum beam control for storage areas, railyards, car dealerships, loading docks and building perimeters. Available U.L. listed for wet location.

Catalog #		Type
Project		
Comments		Date
Prepared by		

SPECIFICATION FEATURES

A ... Latches

Formed aluminum flush draw-action latches offer easy access to lamp compartment without tools

B ... Housing

Aerodynamically designed, architecturally styled die-cast aluminum housing. Standard dark bronze polyester powder finish. Other finish colors available. Consult your Streetworks Representative. ANSI wattage/source label. Optional NEMA twistlock photocontrol receptacle.

C ... Door

Spring-loaded die-cast aluminum door with integral cast hinges for removal without tools. Door gasket is closed-cell silicone, providing maximum protection of interior components from the elements.

D ... Lens

Heat- and impact-resistant tempered glass lens.

E ... Reflector

Computer designed precision formed reflector system delivers superior beam control and efficiency.

F ... Ballast

Ballast components are hard mounted to fixture housing for maximum heat dissipation and extended component and lamp life. Plastic terminal block. Prewired with 3' 14/3 STWA cord.

G ... Mounting

Heavy-duty steel yoke provides flexibility in mounting to a variety of surfaces. Slipfitter for 2 3/8" to 3" O.D. tenon and trunnion mount also available.

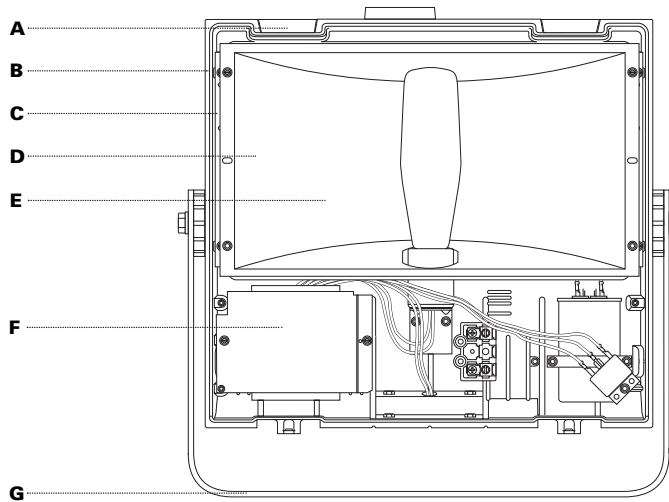


GPF GENERAL PURPOSE FLOOD

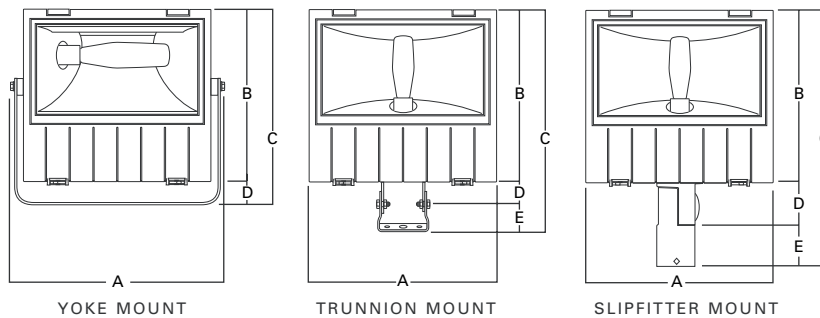
150-1000W

Metal Halide
High Pressure Sodium
Mercury

SLIPFITTER, YOKE OR
TRUNNION-MOUNTED
FLOODLIGHTING



DIMENSIONS



Fixture	A	B	C	D	E
Yoke (in.)	20 1/2	18 1/2	22 1/2	4	
(mm)	521	470	572	102	
Trunnion (in.)	20 1/2	18 1/2	24 3/8	2 9/16	3 5/16
(mm)	521	470	619	65	84
Slipfitter (in.)	20 1/2	18 1/2	28 1/32	5 3/16	4 11/32
(mm)	521	470	712	132	110

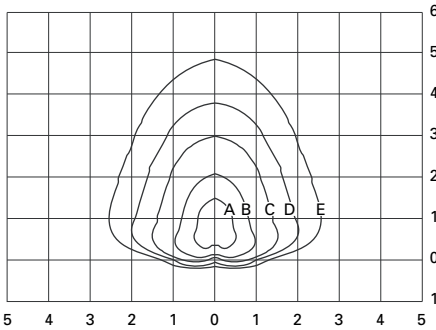
NOTE: Depth Dimension: 150-400W HPS and MH, 1000W HPS 9 1/2" [241], 1000W MH 10 1/2" [267].

EPA

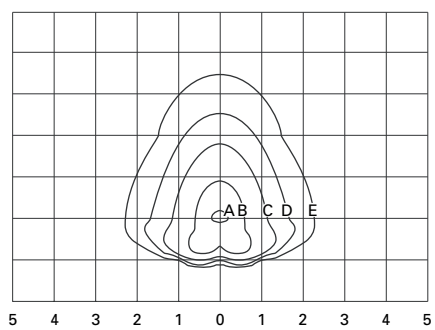
Effective Projective Area:
2.7

SHIPPING DATA

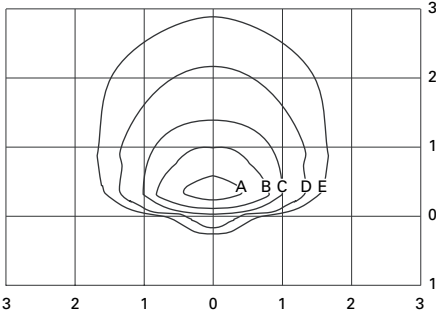
Approximate Net Weight:
59 lbs. (27 kgs.)



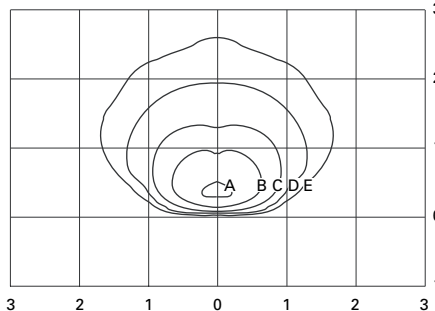
GPF40S76.IES
400-Watt HPS
50,000 Lumen Lamp
Tilt-45°



GPF40M76.IES
400-Watt MH
36,000 Lumen Lamp
Tilt-45°



GPF91S77.IES
1000-Watt HPS
140,000 Lumen Lamp
Tilt-45°



GPF91M77.IES
1000-Watt MH
110,000 Lumen Lamp
Tilt-45°

FOOTCANDLE TABLE

Select mounting height and read across for footcandle values of each isofootcandle line. Distance in units of mounting height.

Mounting Height	Footcandle Values for Isofootcandle Lines				
	A	B	C	D	E
GPF40S76.IES / GPF40M76.IES					
20'	10.00	5.00	2.00	1.00	0.50
25'	6.40	3.20	1.28	0.64	0.32
30'	4.44	2.22	0.89	0.44	0.22
35'	3.27	1.63	0.65	0.33	0.18
40'	2.50	1.25	0.50	0.25	0.13

GPF91S77.IES / GPF91M77.IES					
30'	20.00	10.00	5.00	2.00	1.00
35'	14.69	7.35	3.67	1.47	0.73
40'	11.25	5.63	2.81	1.13	0.56
45'	8.89	4.44	2.22	0.89	0.44
50'	7.20	3.60	1.80	0.72	0.36

BEAM AVAILABILITY AND LAMP ORIENTATION

Distribution Type (HxV)	HPS	MH	Orientation
7x6	•	•	Vertical
6x5 Cutoff		•	Horizontal
6x2	•	•	Horizontal
5x5 Cutoff	•		Horizontal
4x4	•		Vertical
4x3		•	Vertical
2x4	•		Vertical
2x3		•	Vertical
1x2		•	Vertical

ORDERING INFORMATION

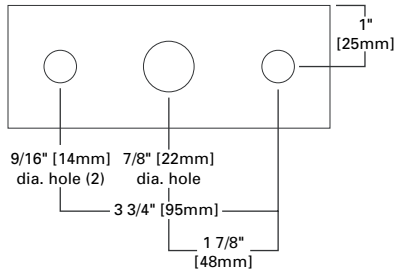
Sample Number: GPF15SPW764

<p>Product Family GPF: General Purpose Flood</p> <p>Lamp Wattage 15: 150W 20: 200W 25: 250W 40: 400W 75: 750W 91: 1000W 24: 250/400W 42: 400/250W</p>	<p>Lamp Type 1 M: Metal Halide S: High Pressure Sodium R: Super Metal Halide V: Mercury</p>	<p>Ballast Type 1 C: CWI R: Reac/NPF H: H Reac. HPF M: Mag Reg N: HIX/NPF P: HIX/HPF W: CWA K: 10KV CWA</p>	<p>Voltage 1 2: 120V 0: 208V 4: 240V 7: 277V 8: 480V 9: 347V W: Multi-Tap wired 120V 5T: 5-Tap Wired 277V N: Multi-Tap wired 277V</p>	<p>Distribution 12: 1 X 2² 23: 2 X 3² 24: 2 X 4³ 43: 4 X 3² 44: 4 X 4³ 55: 5 X 5³ 62: 6 X 2² 65: 6 X 5² 76: 7 X 6 77: 7X7⁴</p>	<p>Options 1: Single Fuse, Internally Mounted (120, 277V) 2: Double Fuse, Internally Mounted (208,240, and 480V) 4: Internal NEMA Photocontrol Receptacle BK: Black AP: Grey H: Plug-In Starter Receptacle⁵ R: Removable Power Tray⁶ A: Captive Door Screws M: MOV Lightning Surge Protectors⁷ U: U.L./CSA Listed C: Slipfitter 2 3/8" to 3" O.D. with leads thru filter S: Slipfitter 2 3/8" to 3" O.D. with leads thru fitter T: Trunnion Mount W: Wall Mount</p>	<p>Accessories OA1181: Wire Guard OA1182: Vandal Shield OA1208: TufGuard Vandal Shield OA1179: Top/Bottom Visor OA1180: Side Visor</p>
---------------------------------------------------------------------------------------------------------------------------------------------------------------------------------------------------------	--------------------------------------------------------------------------------------------------------------------	----------------------------------------------------------------------------------------------------------------------------------------------------	----------------------------------------------------------------------------------------------------------------------------------------------------------------------------------	----------------------------------------------------------------------------------------------------------------------------------------------------------------------------------------------------------------------------------------------------------------------------------	---------------------------------------------------------------------------------------------------------------------------------------------------------------------------------------------------------------------------------------------------------------------------------------------------------------------------------------------------------------------------------------------------------------------------------------------------------------------------------------------------------------------------------------------------------------------	-------------------------------------------------------------------------------------------------------------------------------------------------------------------

Notes: 1 Refer to the technical section for lamp/ballast voltage compatibility. 2 Available in MH only. 1000W requires reduced envelope lamp. 3 Available in HPS only. 4 1000W Only. 5 Not available in 1000W. 6 400W or below, except for 400W Mag. Reg. 7 MOV option not available for any system requiring a three position terminal block (example - 240V with PCR wired 120V). In order for MOV option to function center terminal of three position terminal block must be connected to "Earth" ground.

DRILLING PATTERN FOR YOKE - AND TRUNNION-MOUNT

YOKE MOUNT



TRUNNION MOUNT

