

## DESCRIPTION

The CFB Utility Floods versatility and tough construction make it an ideal floodlight for a wide variety of applications.

Catalog #		Type
Project		
Comments		Date
Prepared by		

## SPECIFICATION FEATURES

### A ... Housing + Door

Die-cast aluminum housing and hinged and latched door assembly. Standard finish color is grey. Other finish colors available. Consult your Streetworks Representative. ANSI wattage/source label. Optional NEMA twistlock photocontrol receptacle. IP65 rated.

### B ... Lens

Thermal shock- and impact-resistant clear tempered glass, utilizing a foam in place gasketing.

### C ... Reflector

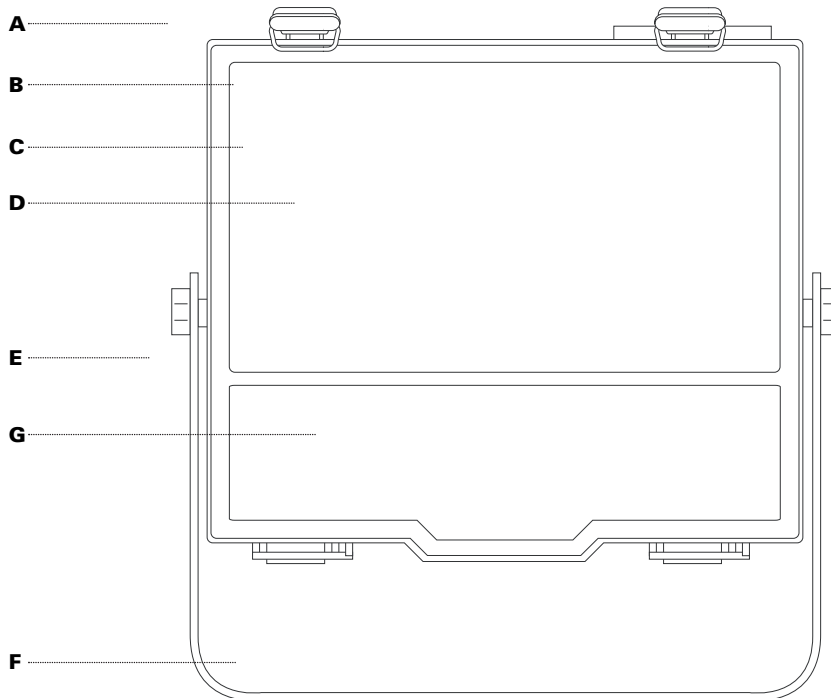
Anodized aluminum reflector.

### D ... Lamp

Mogul-base porcelain lamp socket.

### E ... Mounting

Full steel yoke mounting (prewired with 3' 16/3 STWA cord).

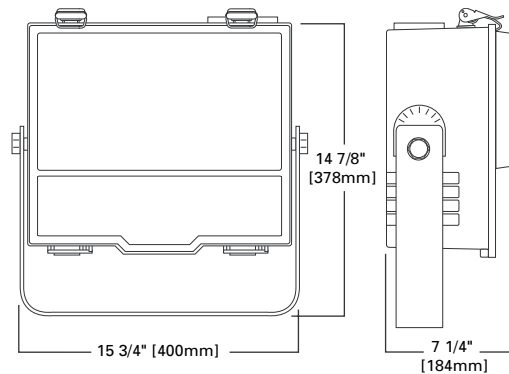


## CFB UTILITY FLOOD

**100-400W**  
Metal Halide  
High Pressure Sodium  
Mercury

SLIPFITTER - , YOKE -  
OR TRUNNION-MOUNTED  
FLOODLIGHT

## DIMENSIONS



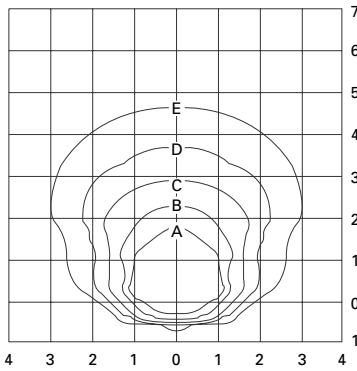
EPA

Effective Projective Area:  
1.3

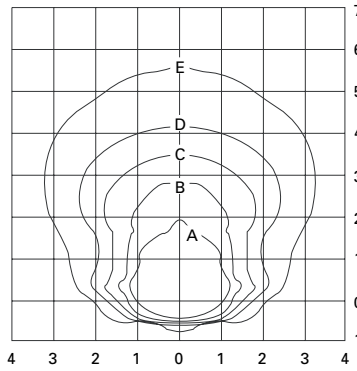
### SHIPPING DATA

Approximate Net Weight:  
35 lbs. (16kgs.)





**CFB40S76.IES**  
400-Watt HPS  
50,000-Lumen Lamp  
Tilt-45° Angle



**CFB40M76.IES**  
400-Watt MH  
36,000-Lumen Lamp  
Tilt-45° Angle

**FOOTCANDLE TABLE**

Select mounting height and read across for footcandle values of each isofootcandle line. Distance in units of mounting height.

Mounting Height	Footcandle Values for Isofootcandle Lines				
	A	B	C	D	E
<b>CFB40S76.IES</b>					
25'	2.88	1.44	0.72	0.36	0.14
30'	2.00	1.00	0.50	0.25	0.10
35'	1.50	0.75	0.37	0.19	0.07
40'	1.12	0.56	0.28	0.14	0.06
<b>CFB40M76.IES</b>					
25'	2.88	1.44	0.72	0.36	0.14
30'	2.00	1.00	0.50	0.25	0.10
35'	1.50	0.75	0.37	0.19	0.07
40'	1.12	0.56	0.28	0.14	0.06

**ORDERING INFORMATION**

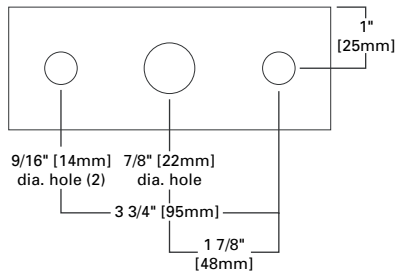
Sample Number: CFB10SR2774

<p><b>Product Family</b> CFB: Utility Flood</p> <p><b>Lamp Wattage</b> 10: 100W 15: 150W<sup>1</sup> 17: 175W 20: 200W 25: 250W 40: 400W 24: 250/400W wired 250W 42: 400/250W wired 400W</p>	<p><b>Lamp Type</b><sup>2</sup> M: Metal Halide S: High Pressure Sodium R: Super Metal Halide V: Mercury</p> <p><b>Ballast Type</b><sup>2</sup> C: CWI R: Hi. Reac./NPF H: Reac. /HPF N: Hi. Reac./NPF P: Hi. Reac./HPF W: CWA K: 10KV CWA</p>	<p><b>Voltage</b><sup>2</sup> 2: 120V 0: 208V 4: 240V 7: 277V 8: 480V F: 120/240 wired 120V W: Multi-Tap wired 120V V: Multi-Tap wired 240V P: 240 w/PCR wired 120V 5T: 5-Tap Wired 277V<sup>3</sup> N: Multi-Tap wired 277V</p>	<p><b>Distribution</b> 65: 6 X 5 76: 7 X 6 77: 7X7<sup>4</sup></p>	<p><b>Options</b> 1: Single Fuse, Internally Mounted (120, 277V) 2: Double Fuse, Internally Mounted (208, 240, and 480V) 4: Internal NEMA Photocontrol Receptacle WH: White BK: Black BZ: Bronze H: Plug-In Starter Receptacle B: Two Position Terminal Block A: Captive Door Screws U: U.L./CSA Listed S: Slipfitter 2 3/8" to 3" O.D. with leads thru fitter T: Trunnion Mount</p>	<p><b>Accessories</b> OA/RA1016: NEMA Photocontrol - Multi-Tap OA/RA1013: Photocontrol Shorting Cap OA/RA1014: 120V Photocontrol OA/RA1027: NEMA Photocontrol 480V OA1197: Vandal Shield<sup>5</sup> OA1198: Wire Guard OA1199: Visor<sup>5, 6</sup> OA1223: TufGuard Vandal Shield</p>
--	--	--	--	--	---

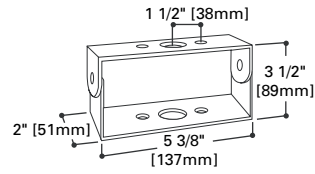
Notes: 1 150W Units are for S55 Lamps. 2 Refer to the technical section for lamp/ballast voltage compatibility. 3 250/400W, 400/250 MH, HPS, and 400W Metal Halide only. 4 175 Watt and below. Cannot be used in combination with visor accessory. 5 Should only be used when fixture is tilted 45 degrees or more above horizontal. 6 Aluminum with thermoset acrylic enamel finish colors grey (AP), Bronze (BZ), Black (BK).

**DRILLING PATTERN FOR YOKE- AND TRUNNION-MOUNT**

**YOKE MOUNT**

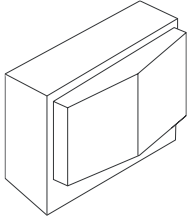


**TRUNNION MOUNT**

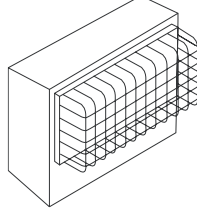


**ACCESSORIES**

OA1197



OA1198



OA1199

