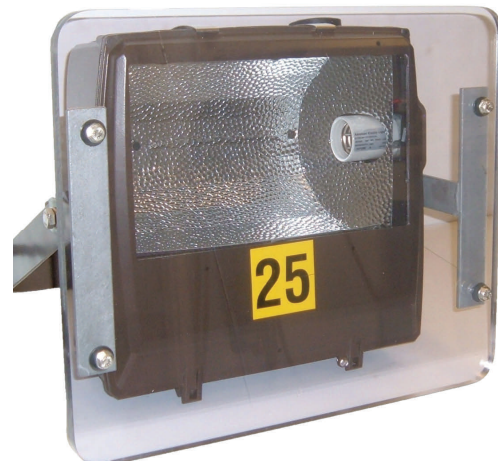


0036

FLOODLIGHT SERIES



STANDARD FEATURES & BENEFITS:

- Dual layers of 1/2" and 3/8" polycarbonate protective glazing sheets.
- Galvanized steel mounting brackets to resist corrosion and wear and tear.
- Galvanized steel mounting hardware and extension bolts.
- Superior ballistic containment properties with excellent impact absorption.
- Long term protection designed to resist yellowing, burning, or weather corrosion.
- Simple, two-bolt installation to minimize labor output for regular maintenance and initial installation.

ORDERING INFORMATION:

Sample Product Code: 0036-PF40-400-M-Y

Product Family	Fixture Code	Lamp Wattage	Source	Mounting Mechanism
0036 - Floodlights	XXXX - <i>Please see "Available Products" below for fixture codes</i>	50 - 50 watts 70 - 70 watts 100 - 100 watts 150 - 150 watts 175 - 175 watts 200 - 200 watts 250 - 250 watts 310 - 310 watts 400 - 400 watts 750 - 750 watts 1K - 1000 watts	H - High Pressure Sodium M - Metal Halide V - Mercury Vapor	Y - Wraparound Yoke Mount ¹ (standard) T - Trunnion Mount ¹ S - Slipfitter/Tenon Mount ²

¹ - Each manufacturer uses different terms. We consider the yoke mount to span from one side of the fixture to the other. A trunnion mount is considered a small U-shaped handle attached to only one side of the fixture.

² - Please note that not all mounting types can be accommodated. Please contact the factory for precise verification.

AVAILABLE PRODUCTS:

Use highlighted codes for "Fixture Code" when ordering

- UF51 - American Electric UltraFlood 51 Series
- UF75 - American Electric UltraFlood 75 Series
- UF77 - American Electric UltraFlood 77 Series
- ACPF - American Electric ACP Series Flood
- CGPF - Cooper Lighting General Power Flood

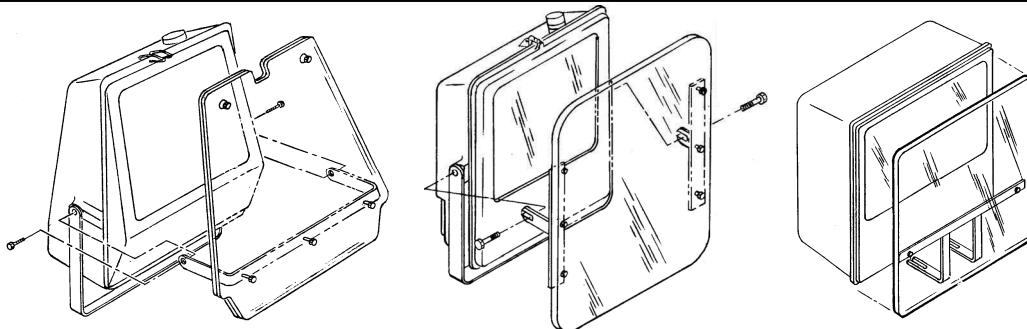
* Don't see your fixture? No problem. We specialize in customizing shields to match your current lighting fixtures. Please call the factory for more information.

- PF15 - General Electric PowerFlood PF-154
- PF40 - General Electric PowerFlood PF-400
- PF1K - General Electric PowerFlood PF-1K
- CCFB - Cooper Lighting CFB Utility Flood

SPECIFICATIONS:

Dimensions and weight will vary for each shield depending on the product ordered. Please contact the factory if specific information is needed.

Mounting brackets will also vary for different fixtures.
(See examples to the right.)



MANUFACTURED BY:

Vandal Shields (800) 698-2402 Toll Free
P.O. Box 434 (714) 523-0572 Phone
8560 Roland Street, #E (714) 523-3328 Fax
Buena Park, CA 90621 www.VandalShields.com

Contact the factory or your local sales representative for more information.

